



BY APPOINTMENT TO  
THE ROYAL DANISH COURT

CARL HANSEN & SØN

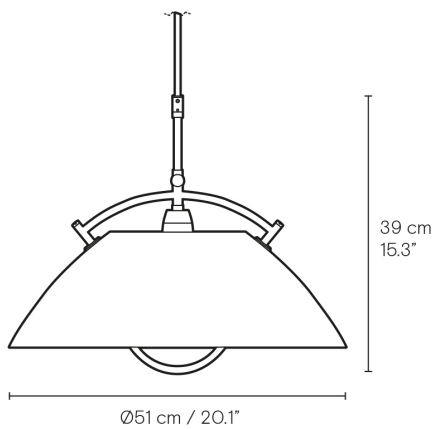


PRODUCT DATA SHEET

HJW37 THE PENDANT

The HJW37 The Pendant was designed by Hans J. Wegner in 1962 and has been in production ever since. The pendant features an aluminium shade with a 24-carat gold- or nickel-plated hanger and extrudes a soft, warm light ideal to illuminate a dining- or coffee table. The design comprises several functional elements such as an optional lift and height adjustable socket to adapt the height of the lamp and the light bulb for glare free lighting. Its inherent versatility makes its suitable for both the living- and dining room.

**SPECIFICATIONS**



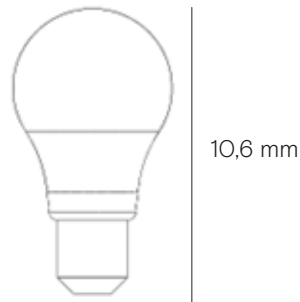
<b>Bulb</b>	<b>Dimmable function</b>	<b>Cord</b>			<b>Suspension</b>		<b>Ceiling canopy</b>	
Not included	None	1,5m white cord for lamp w. lift 3m white cord for lamp wo. lift			Not included		A white canopy is included for lamps w. lift	
<b>Recommended light source</b>	<b>Socket</b>	<b>Max watt</b>	<b>Max voltage frequency</b>		<b>Electric shock protection</b>		<b>Ingress protection</b>	
Phillips LED: A60, 5W warm white	E27	13W	220-240V/50-60HZ		Class II		IP20	
<b>Packaging dimensions and weight</b>		<b>Height</b>	<b>Width</b>	<b>Cbm</b>	<b>Netto</b>	<b>Tara</b>	<b>Gross</b>	<b>Cartons</b>
		420 mm	550 mm	0.13	2.0 kg	1.9 kg	3.9 kg	1/1

**Preassembled**

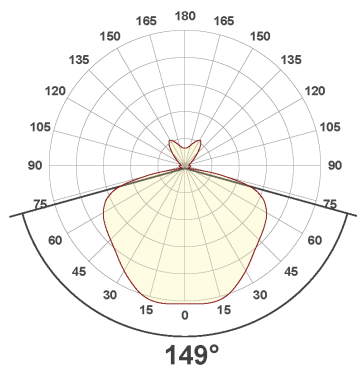
Yes

RECOMMENDED LIGHT SOURCE USED FOR MEASUREMENTS

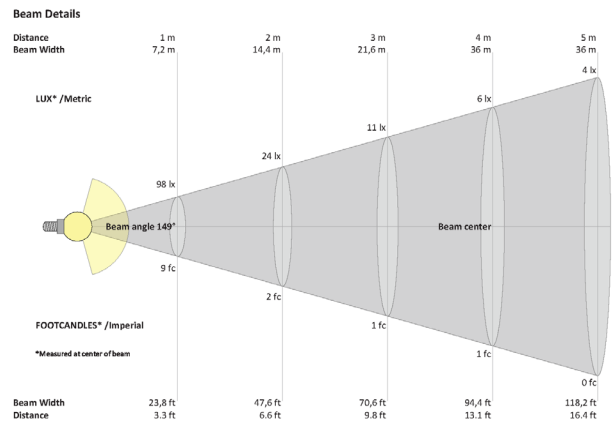
Phillips LED  
 A60 5W E27 220-240V  
 Warm white  
 4,5W = 40W  
 470 lumen  
 2700K



POLAR



FOOTCANDLES



ISO-LUX

