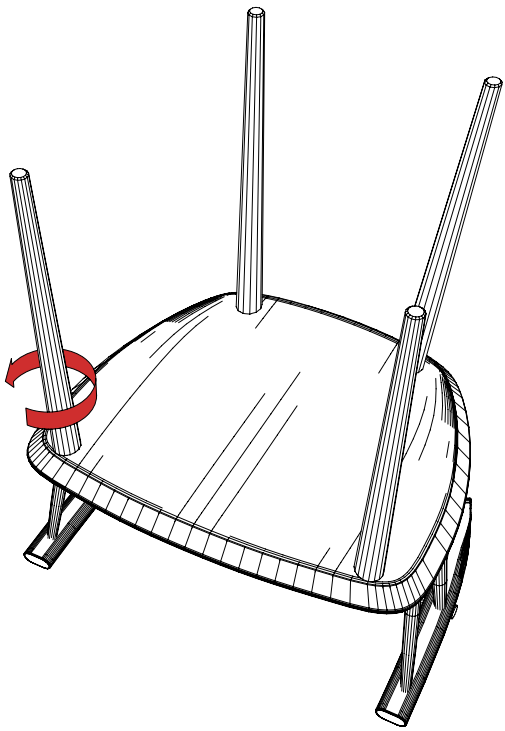


FDB

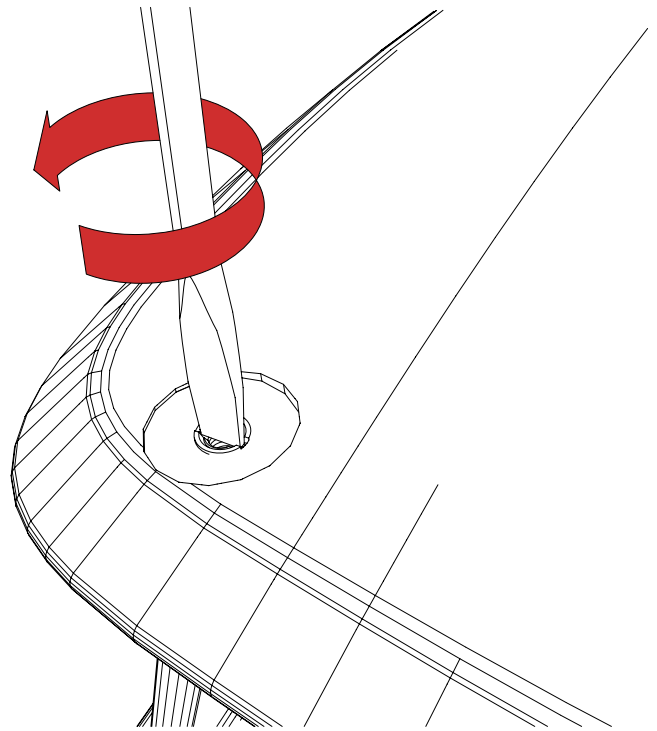
J110

INSTALLING LEG BRACKET

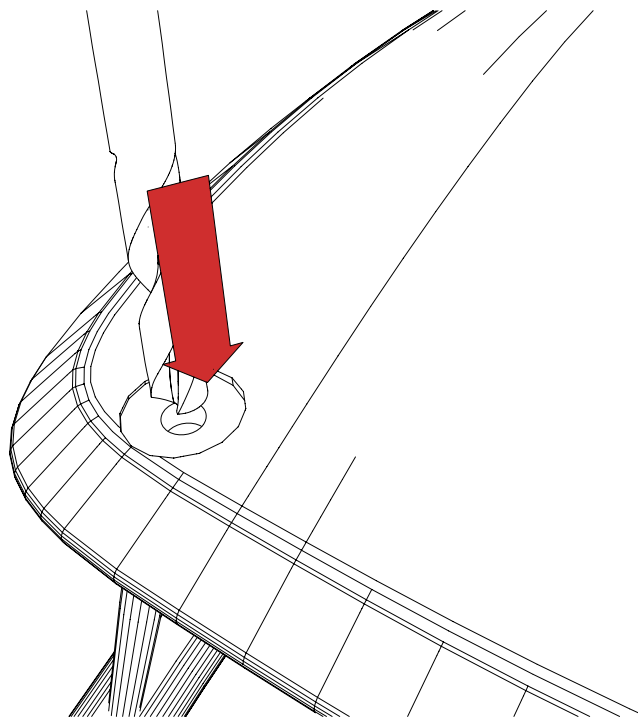




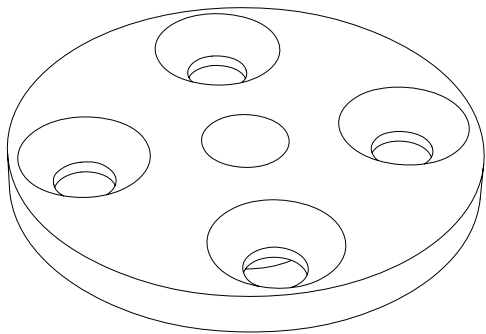
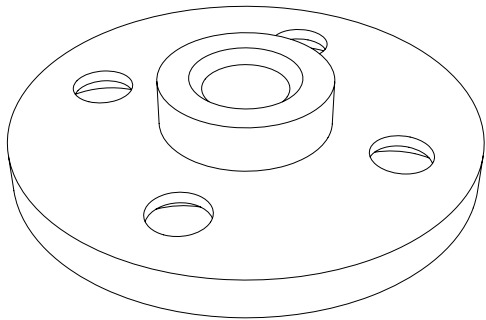
Unscrew the legs.



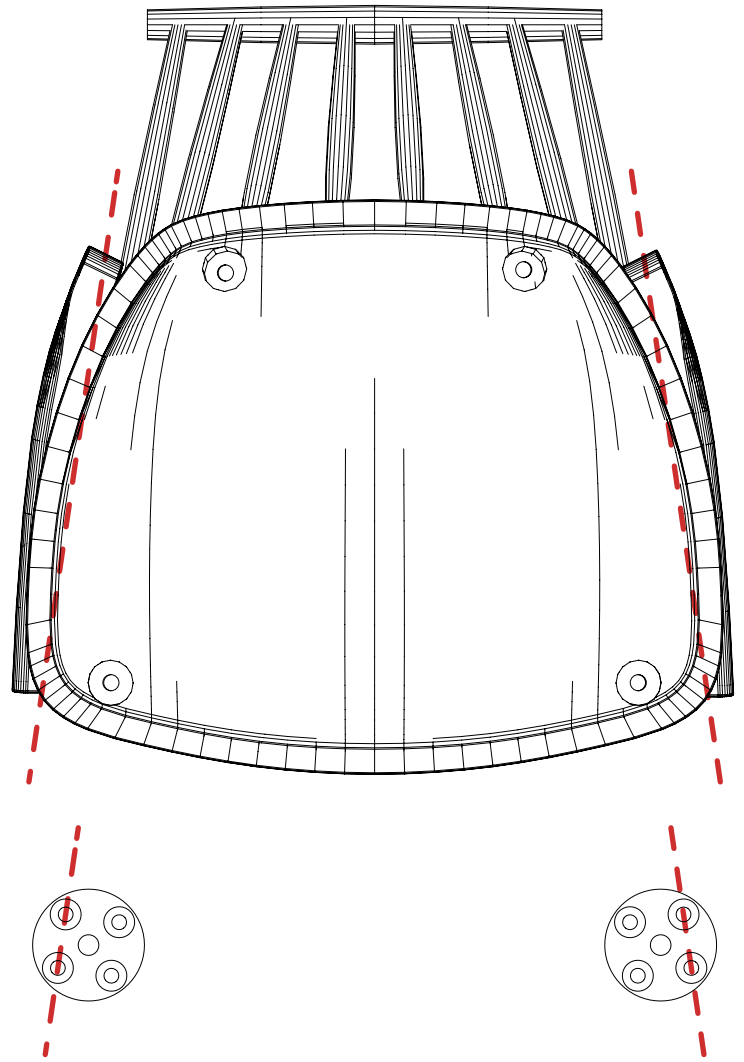
Unscrew the insert using a flat screw driver.



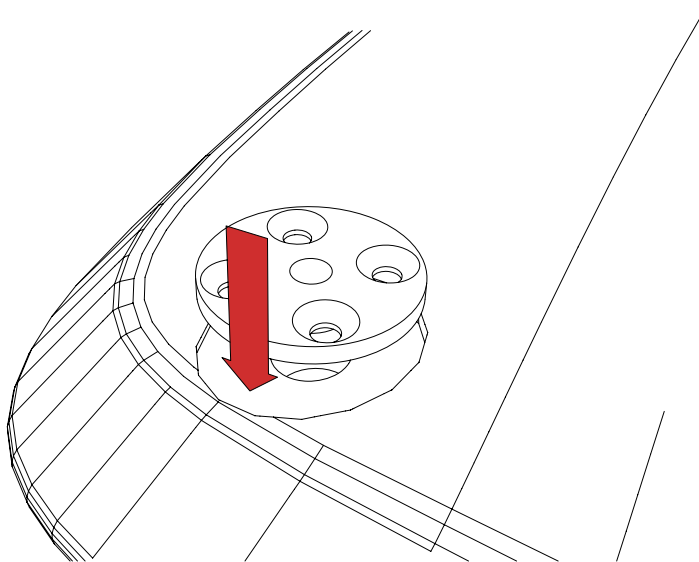
Using a $\text{\O}15$ drill drill the hole to accommodate the new insert.



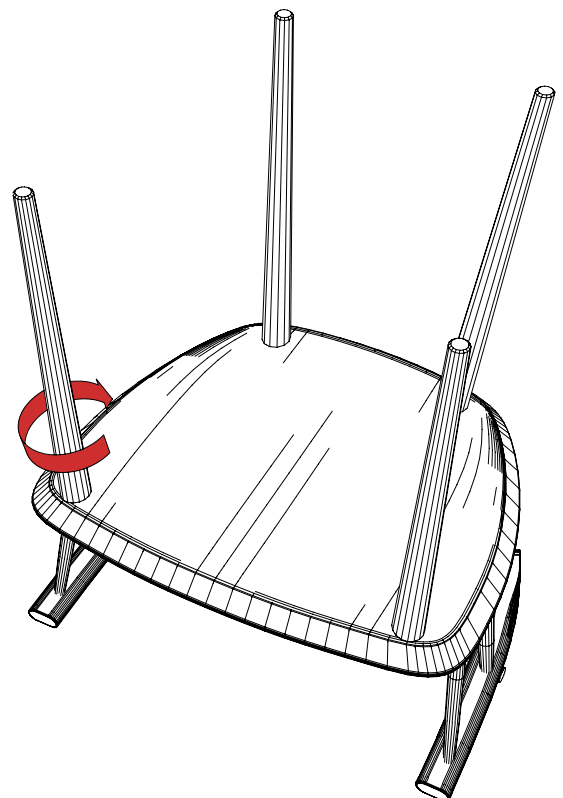
New insert top/bottom view.



When placing the new insert in the bottom of the chair it is **extremely** important that two holes are parallel with the side of the chair as shown above.



Place the insert into the hole and fixate it using countersunk $\text{\O}5 \times 20$ mm screws.



Screw in the legs.

