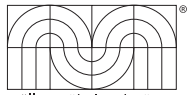
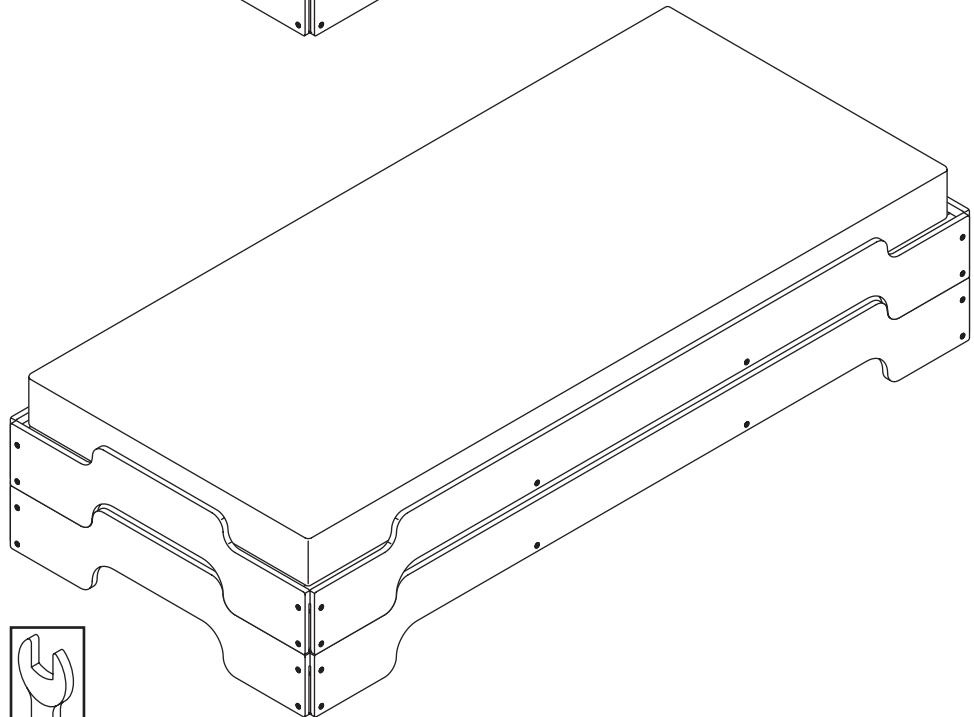
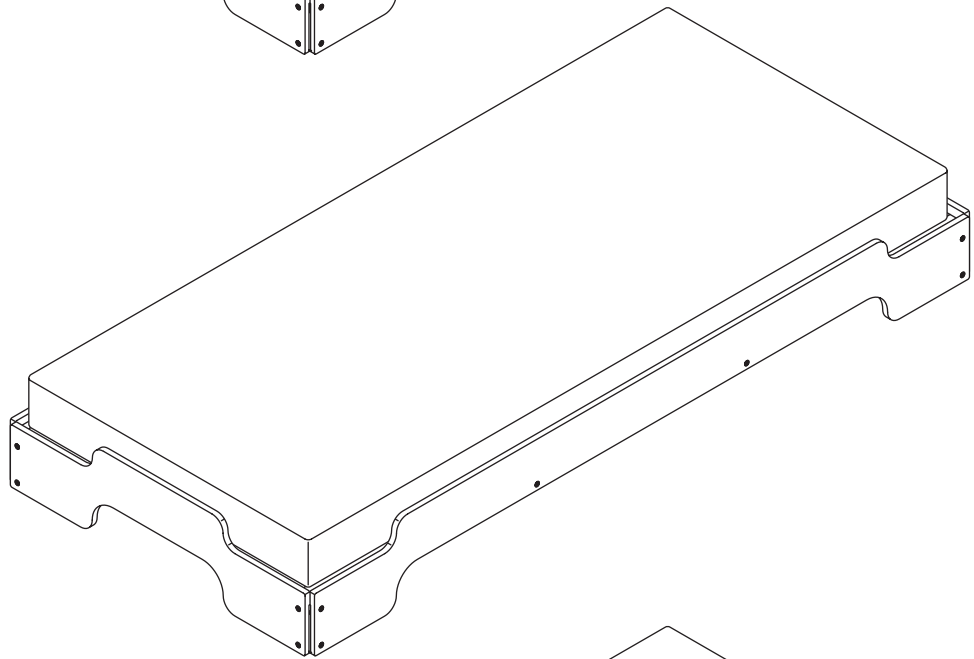
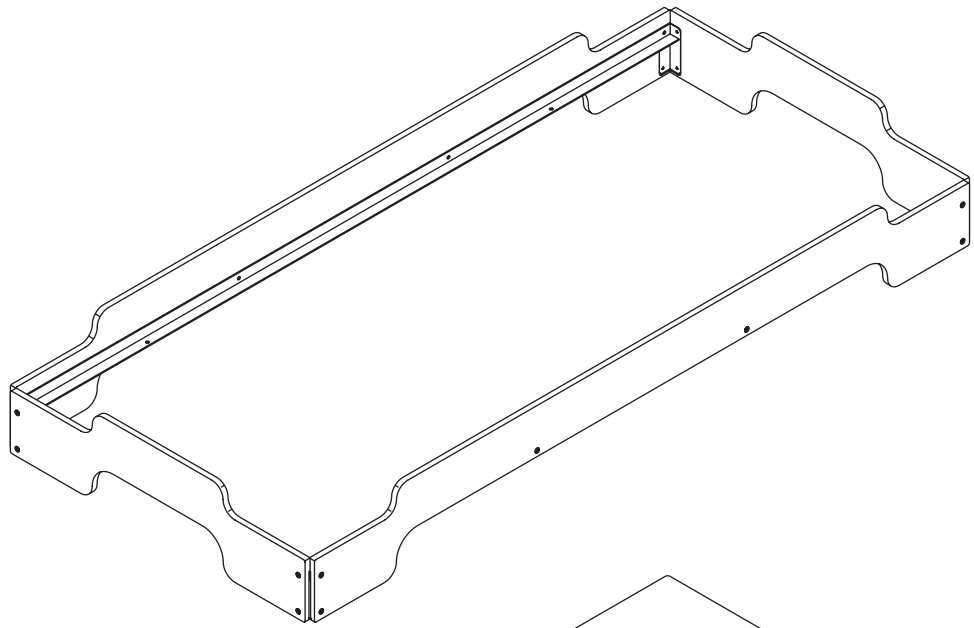




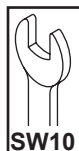
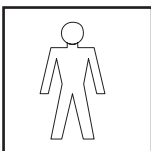
Stapelliege

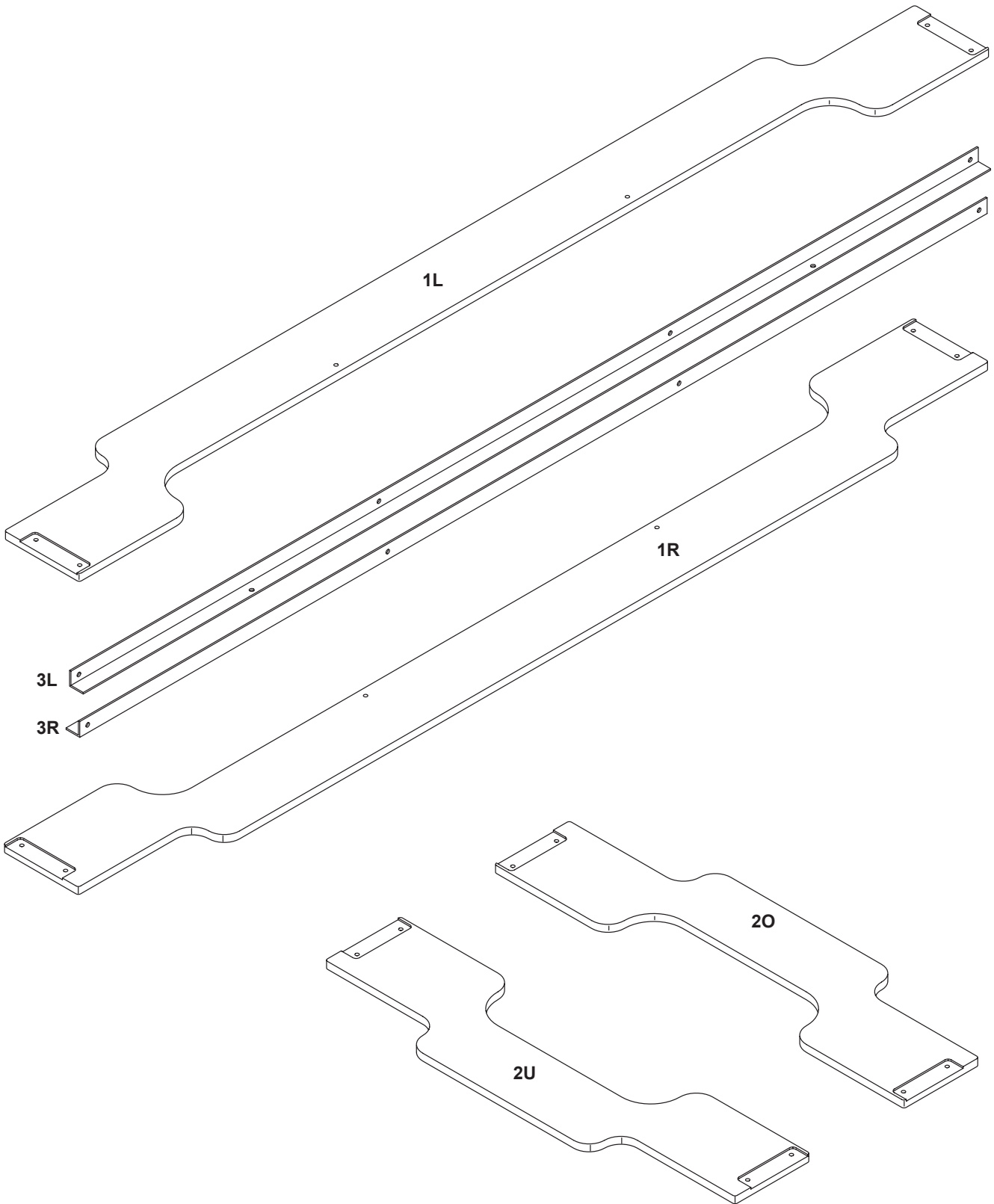



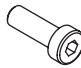


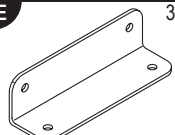
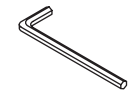
müller möbelwerkstätten



Stapelliege 05.2014



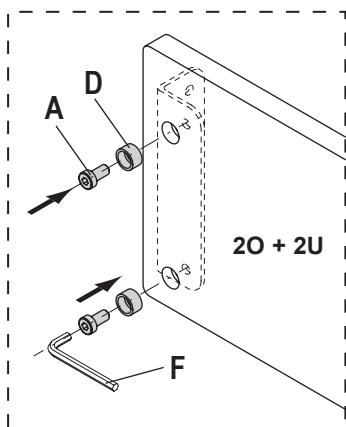
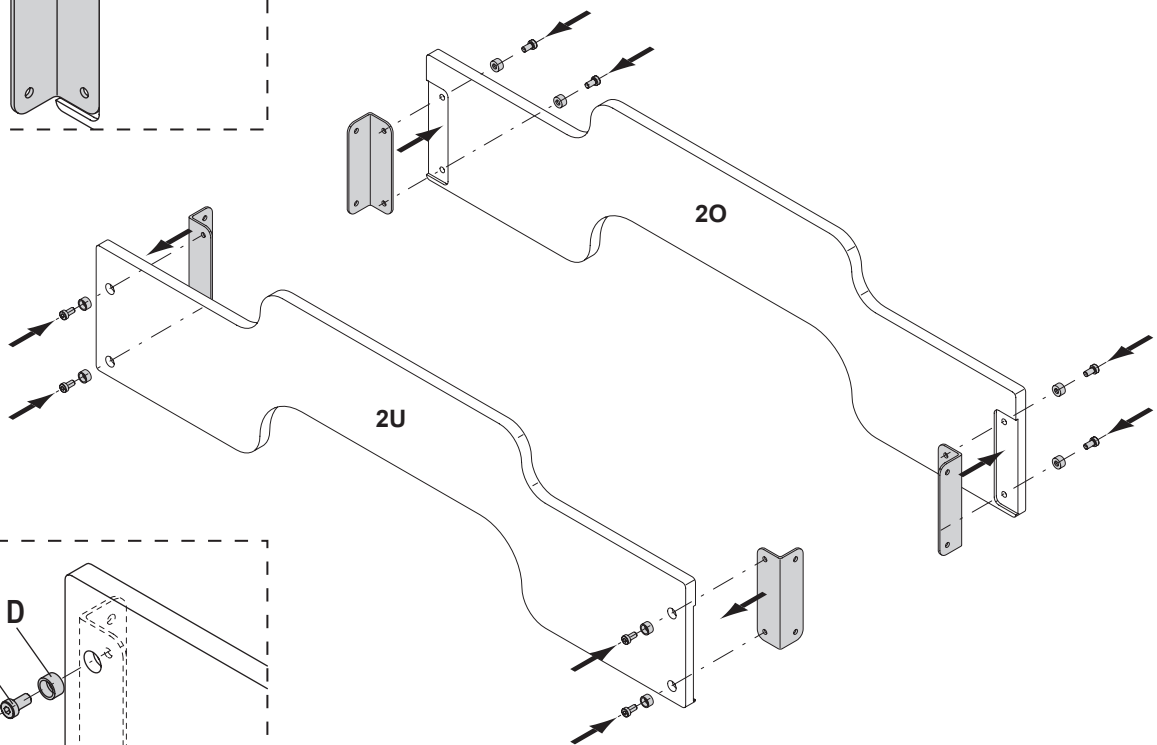
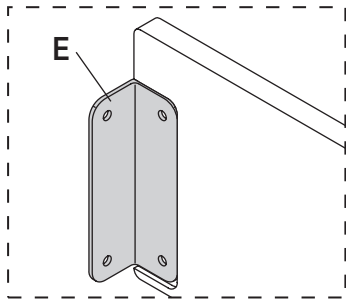


A  M6 x 12 mm 12x	B  M6 x 18 mm 8x	C  M6 8x	D  M6 20x	E  35 x 35 mm 4x
F  1x				





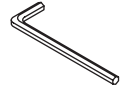
1

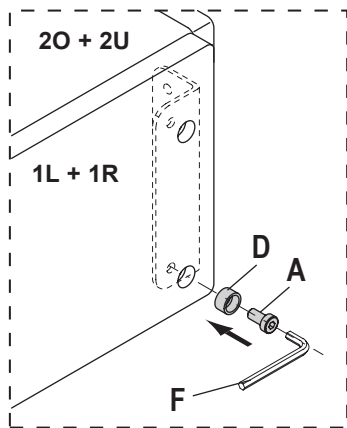
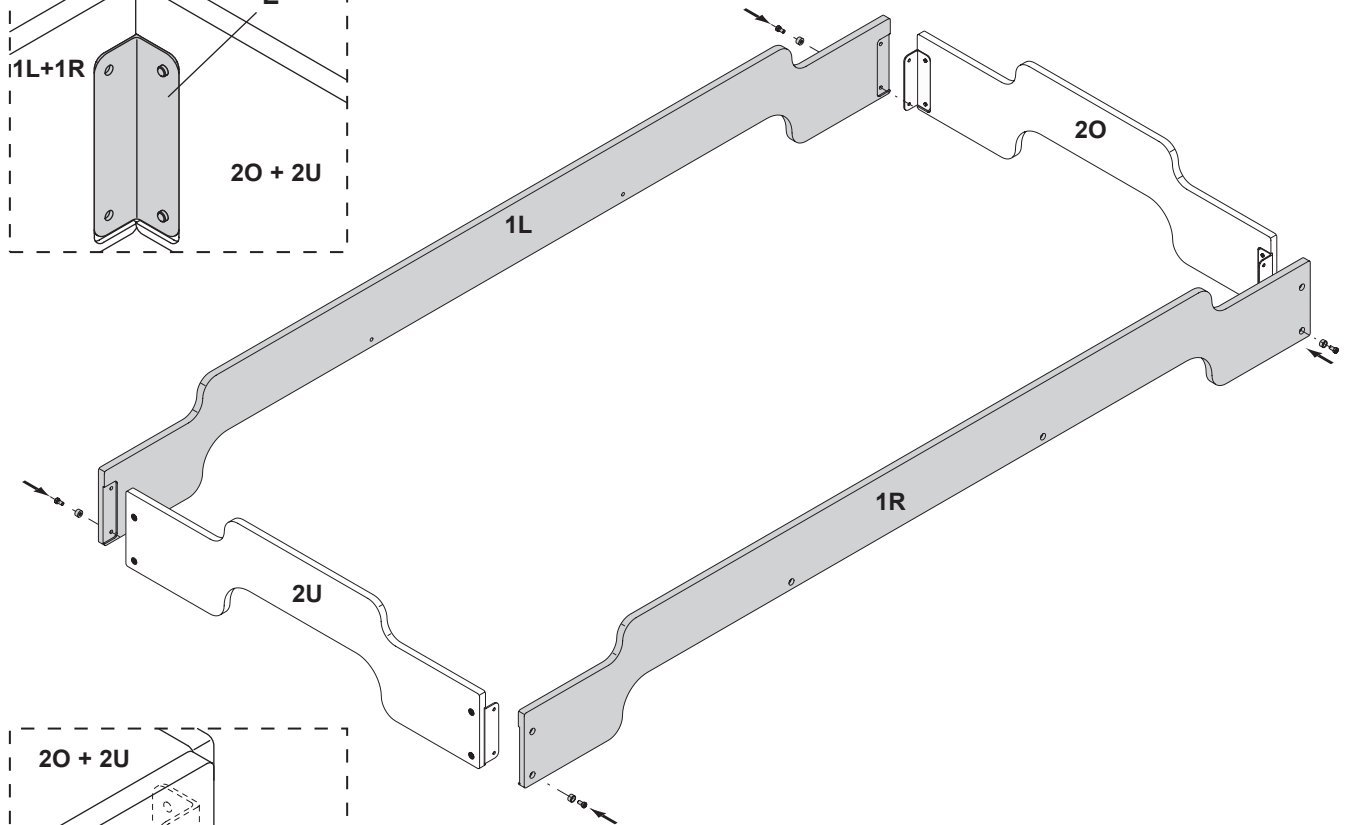
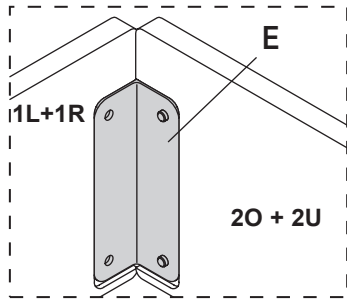
A M6 x 12 mm 8x	D 8x	E 35 x 35 mm 4x	F 1x
----------------------------------	--------------------	----------------------------------	--------------------





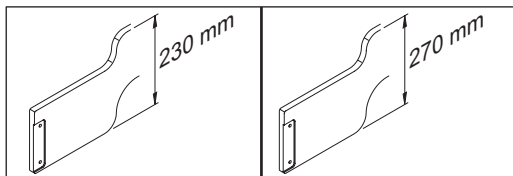
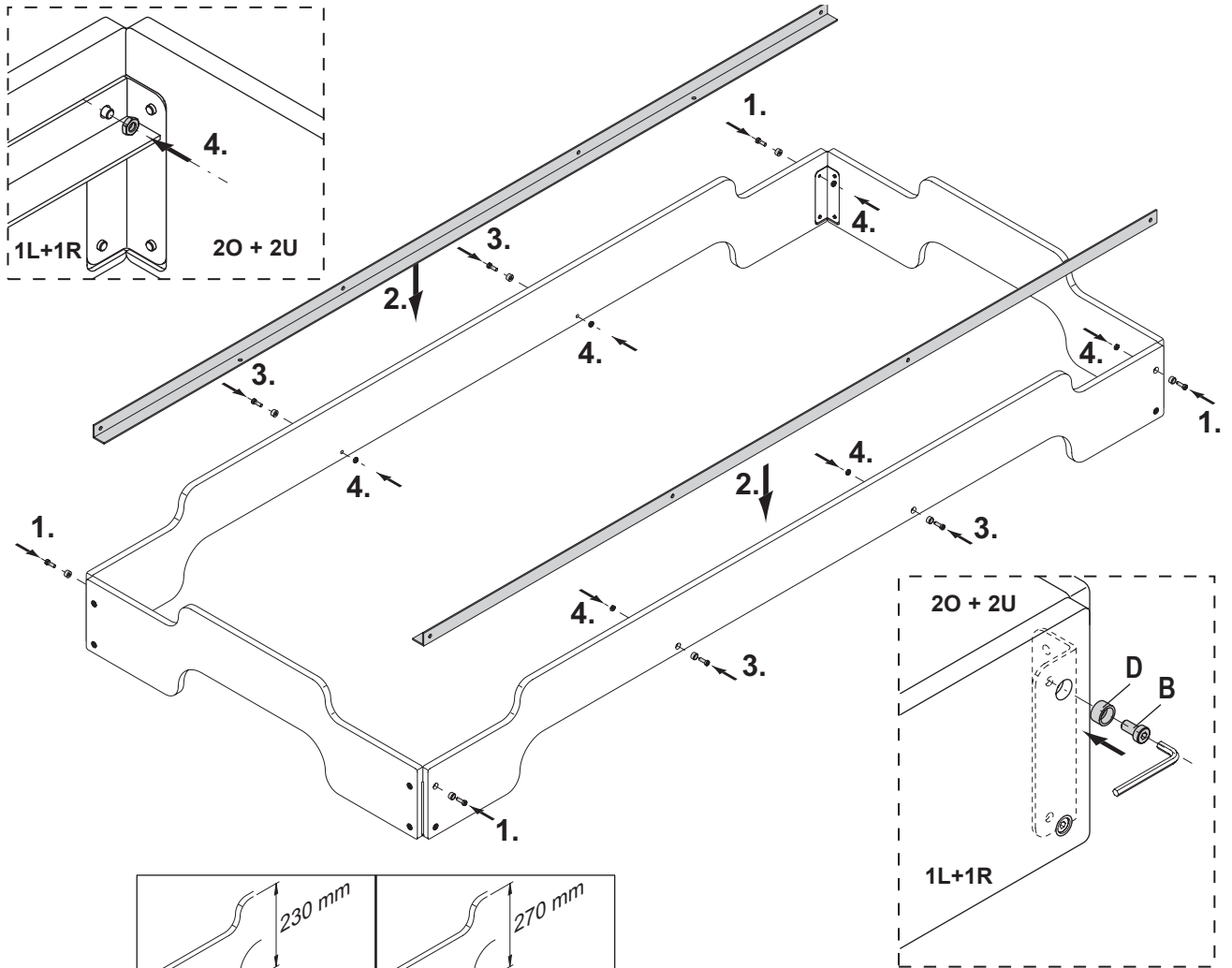
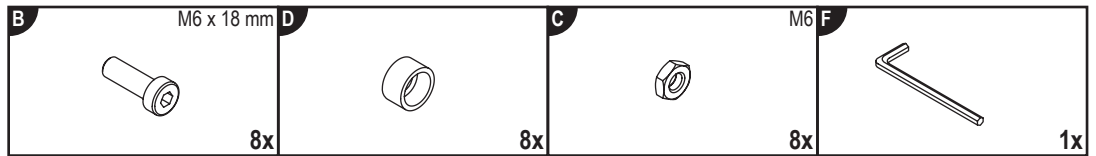
2

A M6 x 12 mm  4x	D  4x	F  1x
---	--	---





3



┌┐	C	35 mm	45 mm	
	B	160 mm	200 mm	
	A	130 mm	155 mm	
└┘	C	35 mm	45 mm	
	B	185 mm	225 mm	
	A	100 mm	130 mm	
└┐	C	60 mm	70 mm	
	B	160 mm	200 mm	
	A	100 mm	130 mm	
┌└	C	60 mm	70 mm	
	B	135 mm	175 mm	
	A	130 mm	155 mm	

4

