

VIPP469

# Lodge Lounge Chair, Low Back

## PRODUCT DESCRIPTION

The Vipp Lodge lounge chair, low back, is a new variation of the original Lodge chair, designed for the living room or lounge area. This lounge chair features a molded soft shell and legs of solid oak.

A lounge chair with remarkable comfort built into its low clam-shaped shell. The seat rests on organically shaped legs in solid oak. A seamless transition from shell to legs is achieved through advanced design techniques, allowing the wood to flow smoothly into the upholstered seat.



Images will be released on launch date  
Please check on [vipp.presscloud.com](http://vipp.presscloud.com)  
Images in this pdf are for internal use only

VIPP469

## Lodge Lounge Chair, Low Back

### KEY SELLING POINTS

The comfortably padded foam shell is designed to surround the body like a glove. A specially designed metal frame is placed inside of the molded foam to create stability and durability for the seat, while also allowing flexible movement of the backrest to make the chair ideal for long seating sessions.

For extra coziness and comfort, the chair is available with an upholstery made from 100% natural wool.

A footstool is designed to match the Lounge chair as well to complete the experience of total relaxation.

Soft foam padding and built-in lower back support offer comfort, while the frame of the chair ensures durability and allows gentle flex in the backrest for long-lasting seating comfort.



VIPP469

## Lodge Lounge Chair, Low Back

### PRODUCT DIMENSIONS

H. 77 cm / 30.3 in  
L. 85 cm / 33.5 in  
W. 73 cm / 28.7 in

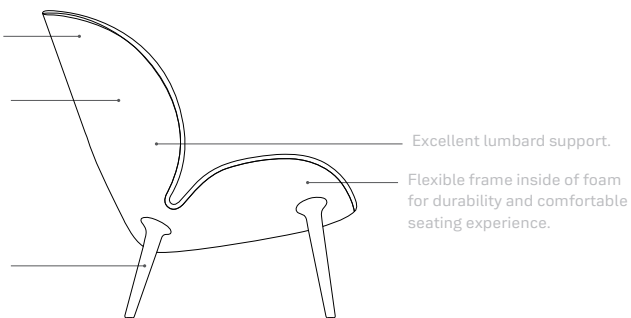


### PRODUCT CUT-TROUGH & DETAILED DESCRIPTION

Fully upholstered seat finished with an elegant piping.

3D shaped foam core made for optimal support and comfort.

Asymmetrical legs with seamless transition to the upholstery.



### PRODUCT MATERIALS & SURFACE TREATMENT

Available upholstery can be found in the product index of the Collection Catalogue.



VIPP469

## Lodge Lounge Chair, Low Back

---

### PRODUCT CHARACTERISTICS & MAINTENANCE

#### Characteristics

The solid oak wood used to produce the legs is a natural material, which can be expected to vary in color and grain of the wood. These variations are natural, and it is what makes each chair unique and beautiful.

For added comfort and warmth, the chair is available in 100% natural wool upholstery. As it's genuine sheepskin, variations in color and curliness are part of its natural charm.

#### Maintenance

For daily cleaning, use a vacuum with a soft brush or wipe the upholstery with a clean, dry cloth. For cleaning of the legs, use a damp cloth to clean and immediately dry with a clean cloth.

---

### PRODUCT CERTIFICATIONS

The Vipp Lodge Lounge Chair fulfils the requirements in EN 16139, test severity L1 and L2.

Flame retardant foam is available for the UK market.

---

### AVAILABILITY

Available in all markets.

---